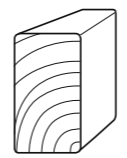
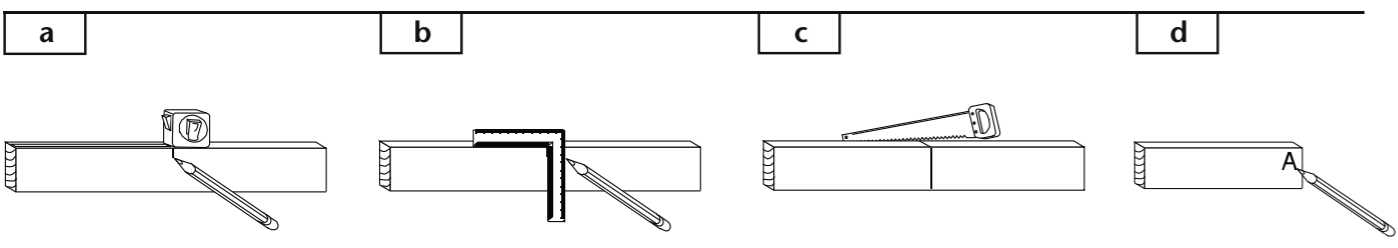
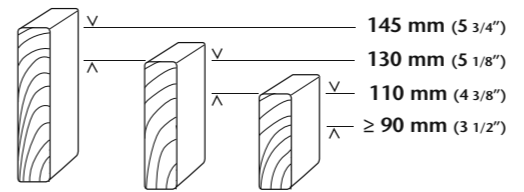
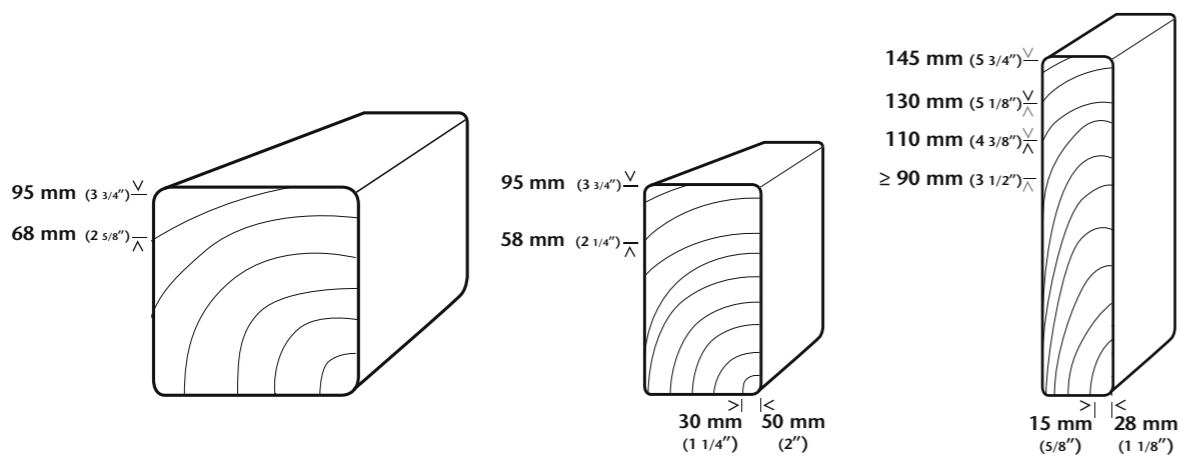


4 x | A = 240 cm (94 1/2")



2 x | B = 240 cm (94 1/2")  
 4 x | C = 140 cm (55 1/8")  
 1 x | D ≤ 123 cm (48 3/8")  
 2 x | E = 120 cm (47 1/4")  
 2 x | F = 112 cm (44")  
 2 x | G = 97 cm (38 1/8")  
 2 x | H = 90 cm (35 1/2")  
 2 x | I = 72 cm (28 3/8")



16 x	19 x	23 x	J =	149 cm (58 5/8")
4 x	4 x	4 x	K =	140 cm (55 1/8")
13 x	15 x	17 x	L =	120 cm (47 1/4")
18 x	21 x	23 x	M =	60 cm (23 5/8")
2 x	2 x	2 x	N =	50 cm (19 5/8")